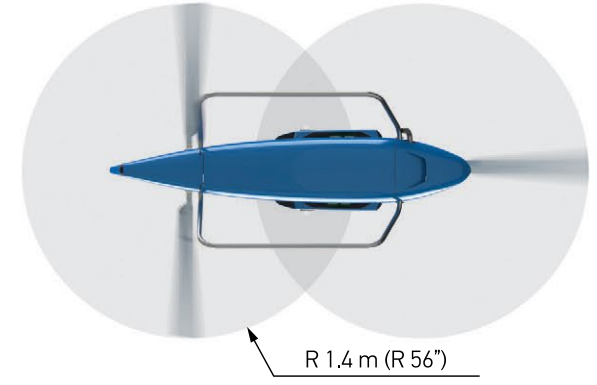
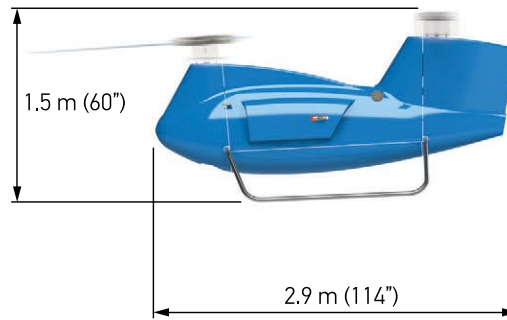
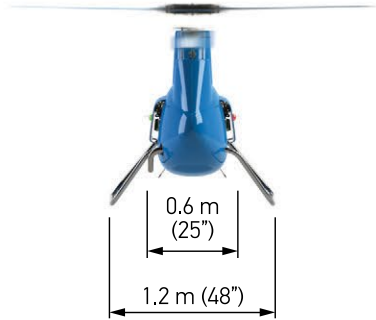


TECHNICAL SPECIFICATIONS



PERFORMANCES All models

Max takeoff weight	300 kg
Empty weight	190 kg
Payload weight	≤ 90 kg
Fuel weight	≤ 100 kg
Endurance	≤ 8 hours
Mission radius	≤ 150 km
Max speed	210 km/h
Cruise speed	115 km/h

DIMENSIONS All models

Airframe length	2,9 m
Airframe height	1,5 m
Airframe width	1,2 m
Rotor diameter	2,8 m

HELICOPTER TECHNOLOGIES

	LX-300	AIRTRACT	PREMIER	NAVAL	PROSPECTOR
Composite blades and fuselage	●	●	●	●	●
Double-hinged rotor technology	●	●	●	●	●
Integrated payload compartment	●	●	●	●	●
Autorotation capability	●	●	●	●	●

ON-BOARD SYSTEMS

	LX-300	AIRTRACT	PREMIER	NAVAL	PROSPECTOR
GPS/INS navigation system w/ optical camera	●	●	●	●	●
Autonomous takeoff and landing system	●	●	●	●	●
SECURE™ obstacle-detection system	●	●	●	●	●

INTEGRATED PAYLOAD

	LX-300	AIRTRACT	PREMIER	NAVAL	PROSPECTOR
3D-mapping equipment (LIDAR)	○	-	○	○	●
Detection sensor (Radar)	○	-	○	○	○
Communication relay	○	-	○	○	○
Hooking system	○	○	○	○	○
High-definition optical camera w/ gimbal	○	○	●	●	○
Thermal camera	○	○	●	●	○
Liquid or solid spreaders	○	●	-	-	-

GROUND CONTROL STATION

	LX-300	AIRTRACT	PREMIER	NAVAL	PROSPECTOR
User-friendly interface	●	●	●	●	●
Single or dual operator mode	●	●	●	●	●
Pre-program autopilot mode	●	●	●	●	●
Manual override mode	●	●	●	●	●
Flight-programming software	●	●	●	●	●
Compact GCS	●	●	○	●	○
Mobile GCS	○	○	●	○	●

DATA LINK

	LX-300	AIRTRACT	PREMIER	NAVAL	PROSPECTOR
Combined data link - Visual range	●	●	-	-	●
High-range control data link	○	-	●	●	○
Low-range high-bandwidth link	○	○	○	○	○
High-range low-bandwidth link	○	-	○	○	○
High-range high-bandwidth link	○	-	○	○	○

FLIGHT SIMULATOR

	LX-300	AIRTRACT	PREMIER	NAVAL	PROSPECTOR
VENOM™ flight simulator	○	○	○	●	○
Custom mission simulator	○	○	○	●	○